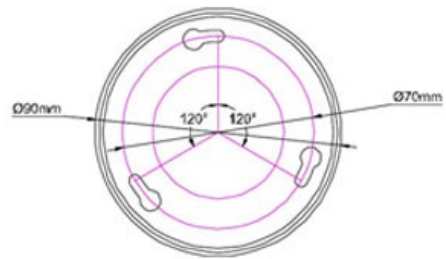
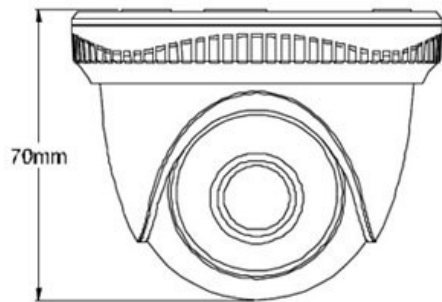


CP- LAC-DC62L2

High Resolution IR Dome Camera - 20 Mtr.



Main Features

- High Quality Image Sensor
- 620 TVL High Resolution
- 0.2 lux @ F1.2, 0 lux (IR ON)
- 3.6 mm Lens
- IR Range of 20 Mtr with 14 IR Leds
- AGC, AWB and BLC
- CE, FCC and RoHS Certified



CP- LAC-DC62L2

High Resolution IR Dome Camera - 20 Mtr.

| Feature | Specification |
|-------------------------|------------------------------------|
| Image Sensor | High Quality Image Sensor |
| Pixels | PAL:640H x 480V |
| Resolution | 620 TVL |
| Min. Illumination | 0.2lux(IR OFF), 0lux(IR ON) |
| S/N Ratio | more than 47dB |
| Lens | 3.6 mm Lens |
| Gamma Correction | 0.45 |
| White Balance (AWB) | Auto |
| Gain Control (AGC) | Auto |
| Back Light Compensation | Auto |
| Day & Night (ICR) | Auto |
| IR | IR Range of 20 Mtr.with 14 IR Leds |
| Scanning System | Interlaced scanning |
| Sync | Internal Sync |
| Video Output | 1.0Vp-p/75ohm |
| Power Supply | DC 12V |
| Power Consumption | 130mA (110-150mA) |
| Dimensions | (Φ)90mm x 70(H) |
| Weight | 130g |
| Storage Temperature | -20°C~60°C |
| Operating Temperature | -10°C~50°C |
| Certifications | CE, FCC, RoHS |