

Automatic Barrier



Features

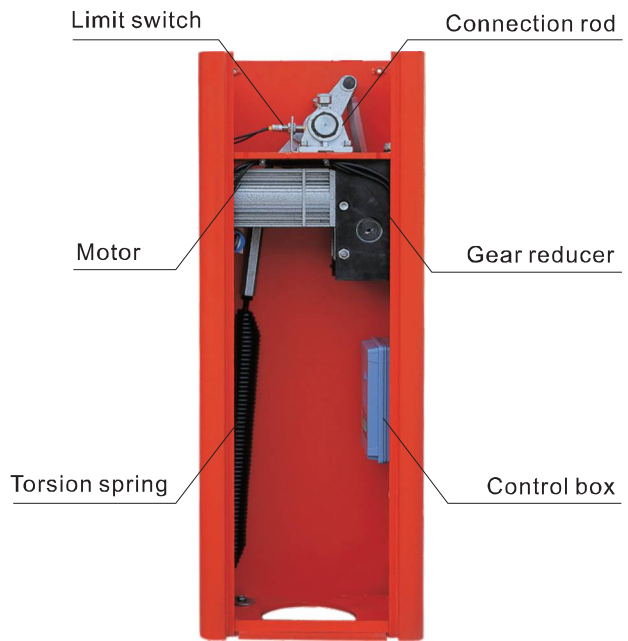
- Oil immersed gear reducer
- Self-locking in closed position.
- Quiet and stable operation.
- Powerful torsion spring
- Manual release handle in case of Power failure.
- Wiring terminals for remote control, button switch, alarm lamp, infrared photocell and loop detector.
- Available to connecting with parking system and toll gate system.
- Auto-stop in the event of obstruction.
- Open (Up) priority.
- Plug type antenna is included on the control board.
- Hopping code remote control with max. 100 pcs hand transmitters.
- Four-buttons remote transmitter can separately control max. 4 barriers.
- Remote distance up to 30 meters.
- FCC approved for remote control.



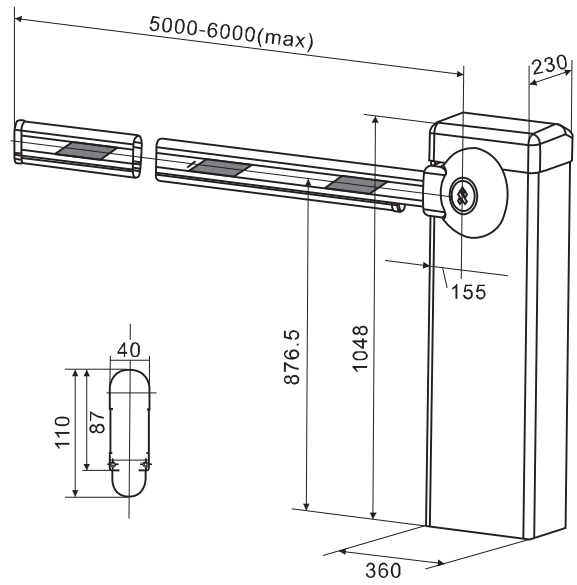
Technical Specification

Model	MC-3000B	MC-6000B	Max. Continuous operation		
			100%		
Power supply	AC220V \pm 10% 50Hz		Opening time	3.5 sec.	5.5 sec.
Input current	1.8A		Streight arm length	3-5m	5-6m
Input power	400W		Folding arm length	\leq 4.5m	\leq 5m
Revolution	1400rpm		Fencing arm length	\leq 4m	\leq 4.5m
Thermal protection	120°C		Output voltage for ext. device	12VDC, 24VAC	
Working temperature	-20°C~ +50°C		Protection fuse	5A	
Torque	120N.m		Protection rate	IP44	
Weight	70kg		Output for blinker	AC220V	

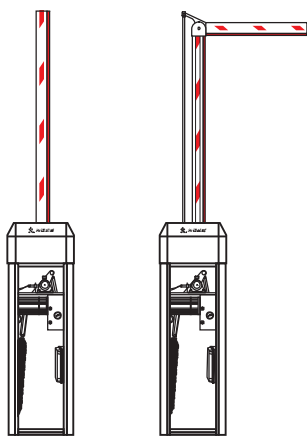
Automatic Barrier



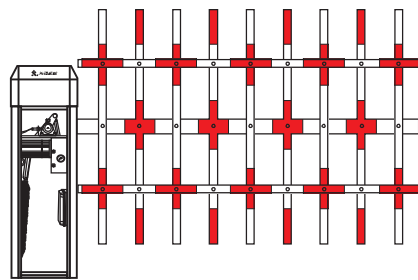
Inner view



Measurement



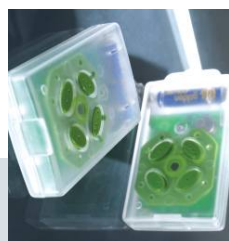
Straight arm Folding arm



Fencing arm



Manual releaser



Hand transmitter



Control board