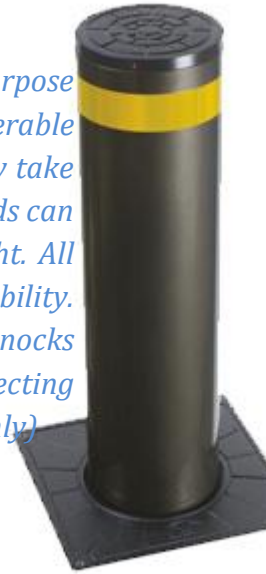


Automatic Bollards (BIO-BLD15)

Bio Tech is pleased to introduce its complete range of automatic bollards. Their main purpose is to make urban areas livable once again; they can be used to protect particularly vulnerable places (such as shops, houses, etc...) against robbery or theft or to elegantly and quickly take control of hotel car parks, entrances of ministries and so on. Bio Tech's automatic bollards can work in all environmental conditions and their protection level makes them watertight. All models have following common features: high static and dynamic load and high visibility. High static and dynamic load: all available models withstand the weight and possible knocks caused by intense and heavy traffic. High visibility: thanks to a high-intensity retro-reflecting film with a crown of strongly penetrating lights (lights are available on specific Model only)



15000 Kg
High load resistance



Heating element to guarantee best performance at low temperatures.
-30° Non disponible pour QK-CT115500 / 193700L



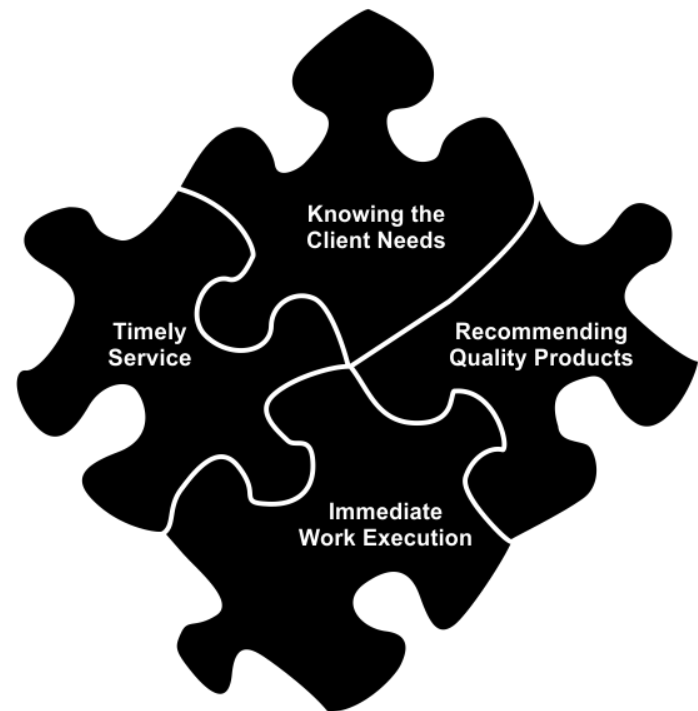
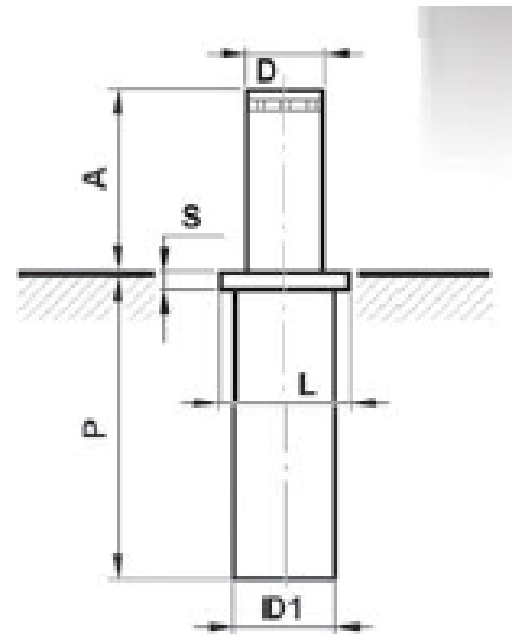
Built in Warning Light



Technical Data Sheet

Technical Specifications	BIO-BDS1S
Power supply (VAC 50/60Hz)	230
Electronic Systems	Yes
Power Absorbed (A)	1.4
Power(KW)	0.13
Working Temperature	-20/+70
Reversible Mechanic	Yes
Working Time	6Seconds
Thickness of the rod	40/10
Protection Ratio (IP)	67
Length of cable (MTR)	10
Weight	60KG
Standard color (Gray)	RAL7022
Dimension D(mm)	115
Dimension A(mm)	490
Dimension L(mm)	250x300
Dimension P(mm)	965
Dimension S(mm)	115
Dimension D1(mm)	190

System Diagram



For Any Further inquiry / assistance, contact us at

Bio Tech Systems

M-4/203, 2nd floor, Opposite Kerala School, Gupta Plaza, Vikaspuri, New Delhi-110018

Phone No. 011-45534875, 011-45566232,

Regd. Office: 81B/A1B, Paschim Vihar, New Delhi - 110063

Web Site: <http://biotechsistemas.in>, E-Mail: contact@biotechsistemas.in